

# Industrial Visual Flashing Signal - 5 Joule Series FL40



- > Strobe available in 5 Joule
- > IP65 as standard
- > Flame retardant ABS enclosure
- > Lens available in six different colours
- > 360 degree visibility
- > High flash intensity
- > Reliable and simple to install
- > Complements audible alarm system



14598E00

www.stahl.de



Multi-purpose visual signalling device designed for use in industrial applications. Product series FL40 is designed to provide a flashing signal which can be used to alert, warn or draw attention to an event.

### Approvals

Certificates



UL 1638

**WebCode FL40A**

# Industrial Visual Flashing Signal - 5 Joule

## Series FL40



Selection Table

Version	Enclosure colour	Flash energy	Rated operational voltage	Lens colour	Order number	Art. no.	Weight kg
FL40 Xenon Strobe, CE marked, Standard Devices	red normal (RN)	5.0 J	24 V DC	amber	FL40/D50/A/RN	204955	0.260
				red	FL40/D50/R/RN	204994	0.260
				green	FL40/D50/G/RN	204984	0.260
				opal	FL40/D50/O/RN	204989	0.260
				blue	FL40/D50/B/RN	204969	0.260
				clear	FL40/D50/C/RN	204976	0.260
		5.0 J	115 V AC	amber	FL40/L50/A/RN	205012	0.250
				red	FL40/L50/R/RN	205019	0.250
				green	FL40/L50/G/RN	212341	0.250
				opal	FL40/L50/O/RN	212342	0.250
				blue	FL40/L50/B/RN	212343	0.250
				clear	FL40/L50/C/RN	212344	0.250
		5.0 J	230 V AC	amber	FL40/N50/A/RN	205026	0.250
				red	FL40/N50/R/RN	205047	0.250
				green	FL40/N50/G/RN	205039	0.250
				opal	FL40/N50/O/RN	205042	0.250
				blue	FL40/N50/B/RN	205033	0.250
				clear	FL40/N50/C/RN	212346	0.250
FL40 Xenon Strobe, UL certification	red normal (RN)	5.0 J	24 V DC	amber	FL40/D50/A/RN/UL	205058	0.260
				red	FL40/D50/R/RN/UL	205061	0.260
				green	FL40/D50/G/RN/UL	212347	0.260
				opal	FL40/D50/O/RN/UL	212349	0.260
				blue	FL40/D50/B/RN/UL	212350	0.260
				clear	FL40/D50/C/RN/UL	212351	0.260
		5.0 J	115 V AC	amber	FL40/L50/A/RN/UL	205062	0.250
				red	FL40/L50/R/RN/UL	205064	0.250
				green	FL40/L50/G/RN/UL	212352	0.250
				opal	FL40/L50/O/RN/UL	212353	0.250
				blue	FL40/L50/B/RN/UL	212354	0.250
				clear	FL40/L50/C/RN/UL	212355	0.250
		5.0 J	230 V AC	amber	FL40/N50/A/RN/UL	205065	0.250
				red	FL40/N50/R/RN/UL	212356	0.250
				green	FL40/N50/G/RN/UL	212357	0.250
				opal	FL40/N50/O/RN/UL	212358	0.250
				blue	FL40/N50/B/RN/UL	212359	0.250
				clear	FL40/N50/C/RN/UL	212360	0.250

Note Other voltages and variants are available. Please contact your local sales office for more details

E5

# Industrial Visual Flashing Signal - 5 Joule

## Series FL40



### Technical Data

#### Electrical data

Rated operational voltage	24 or 48 V DC 115 or 230 V AC	
Current consumption	24 V DC	306 mA
	48 V DC	157 mA
	115 V AC	100 mA
	230 V AC	98 mA
Line monitoring	monitor via reverse polarity	

#### Luminous characteristics

Light source	Xenon flash tube		
Flash energy	5 Joule		
Flash rate	1/s		
Light intensity		effective candela	candela seconds
	clear	72.10	14.44
	red	8.92	1.186
	amber	25.52	5.111
	blue	14.09	2.82
	green	29.70	5.946
	opal	65.78	13.17
Lens colour	amber, red, green, opal, blue, clear		

#### Ambient conditions

Operating temperature range	standard variants	-25 ... +55 °C
	UL certified variants	-35 ... +66 °C
Storage temperature	-40 ... +70 °C	
Max. relative humidity	90 % ± 3 % at 40 °C	

#### Mechanical data

Material	
Enclosure	ABS, flame retardant
Lens	polycarbonate
Assembly parts	stainless steel fixings
Labels	polyester foil, adhesive
Degree of protection	IP65 acc. IEC 60529

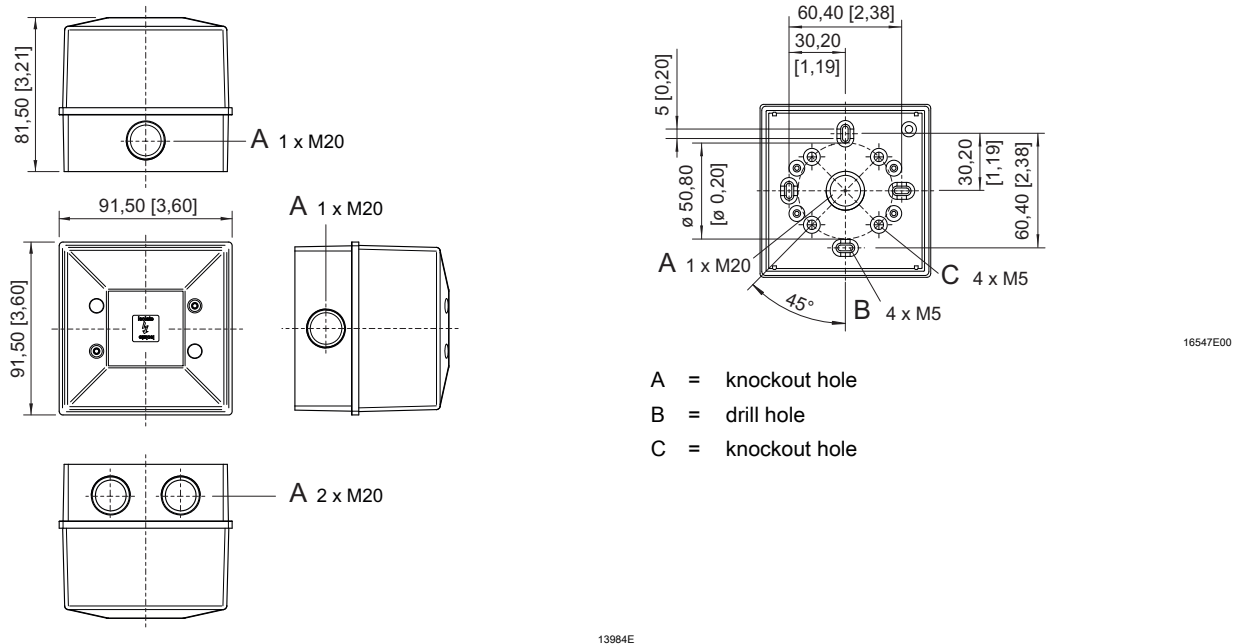
#### Mounting / Installation

Assembly	All units are supplied separate from the back box for ease of installation. The back box must be mounted with the two cable entries at the top or bottom. The back box should be mounted to a reasonably flat surface or to a standard junction box, using any of the internal mounting holes. A gasket is supplied, should the surface be uneven, or if the unit is to be used in wet conditions. To maintain the integrity of the weather seal, the cable must be fitted using a suitable sealed gland. The installation is completed by fitting the beacon onto the back box by means of the supplied screws.
Connection	2.5 mm <sup>2</sup> terminals

# Industrial Visual Flashing Signal - 5 Joule Series FL40



## Dimensional Drawings (All Dimensions in mm [inches]) - Subject to Alterations



Steady lamp version available upon request

We reserve the right to make alterations to the technical data, dimensions, weights, designs and products available without notice. The illustrations cannot be considered binding.

E5