

WAFER BUTTERFLY VALVE

Size DN50-DN600 PN16/PN25/Class125/Class250

FIG · 2302-SS Disc, FIG · 2303-Bronze Disc, FIG · 2304-DI Disc

Specification

- Valves comply with EN593, BS5155, MSS SP-67.
- Replaceable rubber liner for size DN50 to DN300.
- Vulcanized rubber liner for size DN350 to DN600.
- With 4 locating holes for easier installation and centering.
- Actuator-ready with top-flange in accordance with ISO5211-1
- Handle or gearbox operated.
- Flanges to EN1092-2 PN10/PN16, ANSI B16.1 Class125 (Other types available on request).
- WRAS approved.

Working Pressure

- Size 50mm – 600mm 16 Bar
- Size 50mm – 300mm 25 Bar

Working Temperature

- -10°C to 120°C for EPDM liner
- -10°C to 82°C for NBR liner
- -10°C to 150°C for Viton liner

Corrosion Protection

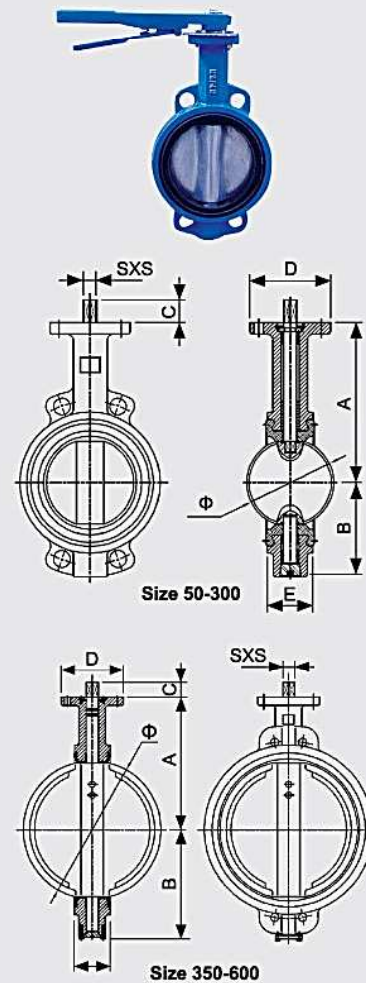
- Internally and externally liquid epoxy or fusion bonded epoxy powder coated (FBE).

Notes: Ductile Iron body for PN25 or Class250 valves.
Design and material are subject to change without notice.

Material Specification

Part Name	Material	EN Spec.	ASTM Spec.
Body*	Cast iron	EN-JL1040	ASTM A126 Class B
Shaft	Stainless Steel	BS970 420S37	AISI 420
	Stainless Steel	BS970 304S15	A351 CF8
Disc	Bronze	EN1982 CC491K	ASTM B62 C83600
	Ductile Iron ChromePlated or FBE Coated	EN-JS1050	ASTM A536 65-45-12
Bushing	PTFE	Commercial	Commercial
Liner	EPDM/NBR/Viton	Commercial	Commercial
O-Ring	EPDM/NBR/Viton	Commercial	Commercial

Drawing and Picture



Dimensions (mm)

Size	50	65	80	100	125	150	200	250	300	350	400	450	500	600	
A	161	175	181	200	215	225	241	296	336	368	400	422	480	562	
B	80	91	95	115	134	138	174	198	234	288	315	340	388	450	
C	30	30	30	30	30	30	30	30	30	45	45	45	45	45	
D	90	90	90	90	90	90	125	125	125	150	175	175	210	210	
E	43	45	46	51.5	56	56.5	60	68.5	79.5	78	88	109	127	154	
Φ	56.8	71.5	83	101.5	127.8	151.1	200.5	250.8	300.5	335.5	393.5	443.5	500.5	600.8	
SxS	11x11			14x14			17x17			22x22			27x27		Φ48
Top Flange	F07	F07	F07	F07	F07	F07	F10	F10	F10	F12	F14	F14	F16	F16	
Weight (kg)	4.4	5.4	5.6	7.4	10	12.2	16.9	26.3	36.3	66.7	110	130.5	157.3	222	