



AVK GROOVED END GATE VALVE, PN 16

06/37

With pin indicator & handwheel, VdS approved, red RAL 3000

003

AVK gate valves are designed with built-in safety in every detail. The wedge is fully vulcanized with AVK's own drinking water approved EPDM rubber compound. It features an outstanding durability due to the ability of the rubber to regain its original shape, the double bonding vulcanization process and the sturdy wedge design. The safety stem sealing system, the high strength stem and the thorough corrosion protection safeguard the unmatched reliability.

Product Description:

Gate valve with grooved ends (AWWA C 606) and pin indicator for fire protection applications to max. 70° C

Standards:

- Designed according to AWWA C606

Test/Approvals:

- Hydraulic test according to EN 1074-1 and 2 / EN 12266.
- Seat: 1.1 x PN (in bar), Body: 1.5 x PN (in bar). Operation torque test.
- Approved according to VdS Certificate No. G 4070046

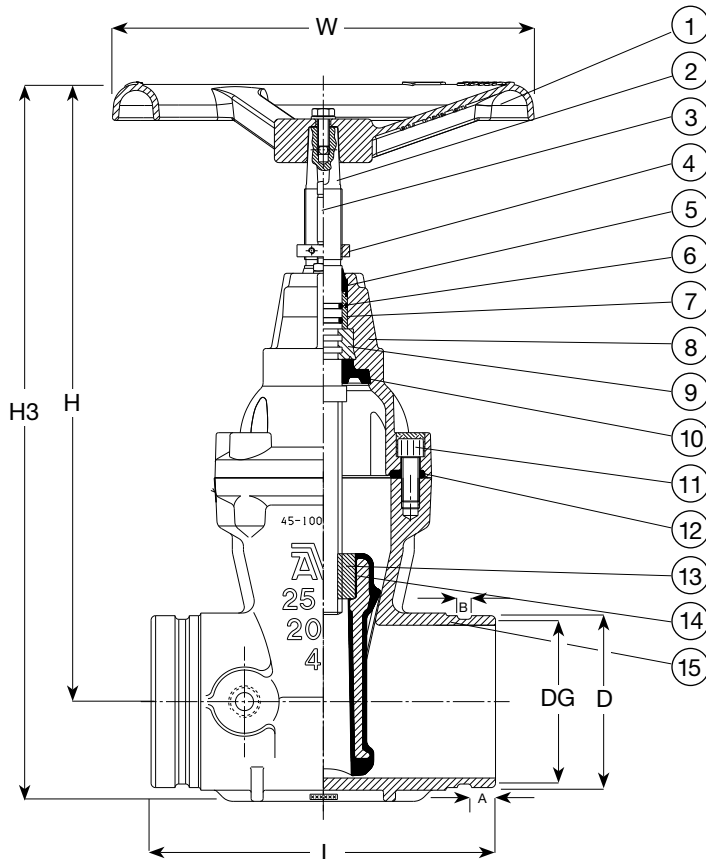
Features:

- Fixed, integral wedge nut prevents vibration and ensures durability
- Fully vulcanized wedge with guide rails, integrated wedge shoes and a large conical stem hole
- Stainless steel stem with wedge stop and rolled threads for high strength
- Full circle thrust collar provides fixation of the stem and low free running torques
- Triple safety stem sealing with an NBR wiper ring, a polyamide bearing with four NBR O-rings and an EPDM rubber manchette
- Round EPDM bonnet gasket fixed in a recess
- Countersunk and sealed bonnet bolts encircled by the bonnet gasket
- Full bore
- Low operating torque
- Epoxy coating to DIN 30677-2 and AVK guidelines

Accessories:

Mounting kit for limit switch, limit switch





Component List:

1. Handwheel	Grey cast iron, GJL-250 (GG-25)	2. Stem	Stainless steel min. 13% Cr
3. Pin	Stainless steel	4. Indicator nut	Dezincification resistant brass
5. Wiper ring	NBR rubber	6. O-ring	NBR rubber
7. Bearing	Polyamide	8. Bonnet	Ductile iron, GJS-500 (GGG-50)
9. Thrust collar	Ductile iron, GJS-500 (GGG-50)	10. Manchette	EPDM rubber
11. Bonnet bolt	Stainless steel A2, sealed with hot melt	12. Bonnet gasket	EPDM rubber
13. Wedge nut	Dezincification resistant brass	14. Wedge	Ductile iron with EPDM rubber
15. Body	Ductile iron, GJS-500 (GGG-50)		

Components may be substituted with equivalent or higher class materials without prior notification.

Reference Nos. and Dimensions:

AVK ref. nos	DN mm	Product PN Class	L mm	H mm	H3 mm	W mm	D mm	DG mm	A mm	B mm	Theoretical weight kg
06-050-37-09620	50	PN16	178	329	367	180	60	57	16	8	10
06-080-37-09620	80	PN16	203	382	435	225	89	85	16	8	15
06-100-37-09620	100	PN16	229	414	480	280	114	110	16	10	22
06-150-37-09620	150	PN16	267	540	649	320	168	164	16	10	44
06-200-37-09620	200	PN16	292	688	825	360	219	214	19	11	61
06-250-37-09620 ⁽¹⁾	250	PN16	330	780	925	500	273	268	19	13	94
06-300-37-09620 ⁽¹⁾	300	PN16	356	855	1025	500	324	318	19	13	126

⁽¹⁾ Not approved to VdS