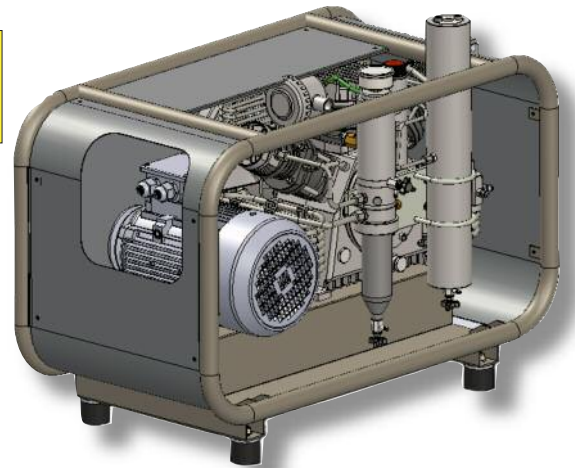
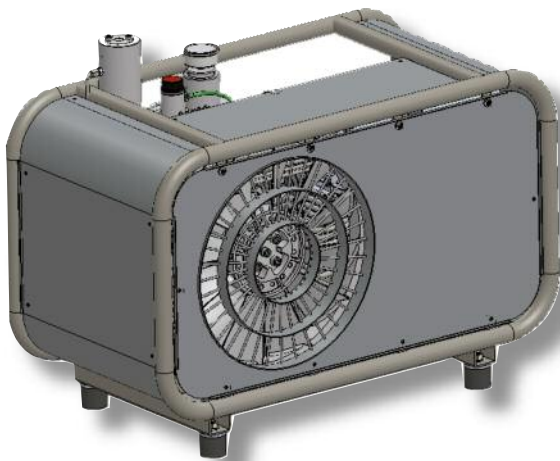


# SEACOMAIR 265 Compact Electric 340bar/5000psi



Meets all international breathing air standards for CGA Grade "E" Air  
DIN EN12021

ISO9001: 2009  
Certified Factory



Two (2) Filling Valve DIN200 or DIN300 with On/Off Valve and bleed

**High Pressure Breathing Air Compressor with new Compact Stainless Steel Frame for Police, Military and Rescue units.**

**Breathing air purification according to international CGA and DIN EN standards.**

## Standard Features

- **Charging rate\* 265 l/min / 10,8 scfm @ 340bar/5000psi**
- **Fills an 11 Liter (80cu.ft.) cylinder in app. 7,5 min.\***
- **New Weight optimized Stainless Steel Frame with Lightweight Cover**
- **Option: Titanium Lightweight Frame**
- **Large capacity moisture separators for hot and humid climates**
- **Breathing air purification system consisting of activated carbon and molecular sieve**
- **Meets all international breathing air standards for CGA Grade "E" Air and DIN EN12021**
- Disposable purification cartridge is easy to replace
- Manual condensate drain
- **Priority/Back pressure maintaining valve**
- **Pressure relief valve on all stages**
- Intake filter
- Oil filled pressure gauge 0~400bar/5800psi
- **1,7 Liter SeaComAir synthetic compressor oil ISO VG150**
- **Two (2) High Pressure Filling hoses with SCUBA INT, DIN200 or DIN300 with On/Off valve and bleed**
- **Electric motor 230/400/440V 50 or 60Hz 1 or 3 phase electrical control, ON/OFF Switch, and cable**
- Spare parts list and owners manual
- Available in a variety of factory options to fit any requirement
- Noise 82 dB (ISO3746)
- Weight: 125 kg (275 lbs)
- Dimensions L 35" (90) x D 21" (53) x H 25" (64 cm)
- One year warranty

## Specifications

Construction: Continuous duty air cooled, three stage, three cylinder high pressure compressor, **all stainless steel interstage and final stage coolers**  
**Mounted on free standing, shock mounted heavy duty, weight optimized stainless steel frame**

Max Pressure: 220bar/3200psi or 340bar/5000psi  
Approx. Output: 265 l/min/ 9 FAD  
Max. r.p.m.: 1550  
Lubrication: Splash lubrication with oil thrower pin  
Oil Capacity: 1,7 Liter (59 oz)  
Oil Type: SeaComAir synthetic compressor oil ISO VG150  
Drive motors AC electric motors, 1 or 3phase, 50 or 60 Hz  
**with electrical control, ON/OFF Switch and cable**

## Factory Options

- **MP330: Compressor 340bar/5000psi max. pressure**
- HMAE100: Hour meter Analog (Electric models only)
- ASP100: Auto Stop/Shut Off pressure switch
- ACD100: Automatic condensate drain
- **PS300/100: Pressure Switch 300-200bar (4300/3000psi)**
- PG2010: Interstage Pressure Gauges (3 pcs)
- RCH200: Removable carry handles
- WS200/2: Wheel Set (2 wheels)
- **TKT200: Titanium Lightweight Frame for Offshore and Maritime applications where weight is consideration**

\*Based on charging 11 Liter / 80 Cu. Ft. Cylinder from 35 bar / 500 psi to 200 bar / 3000 psi

## Type

Model	Description	Charging Rate*	Drive Motor
SCA265E43/75CSS	Compressor 265 l/min 10,8 scfm	265 l/min/10,8 scfm/16 m <sup>3</sup> /h	5,5kW Electric 230/400/440V/50-60Hz 1-3Ph



[www.seacomair.com](http://www.seacomair.com)

**SeaComAir**

Grenzhub 5a • 83229 Aschau • Germany  
Tel. +49/(0)8057/904674 • Fax +49/(0)8057/904676

e-mail: [info@seacomair.com](mailto:info@seacomair.com)