

TESHTEX

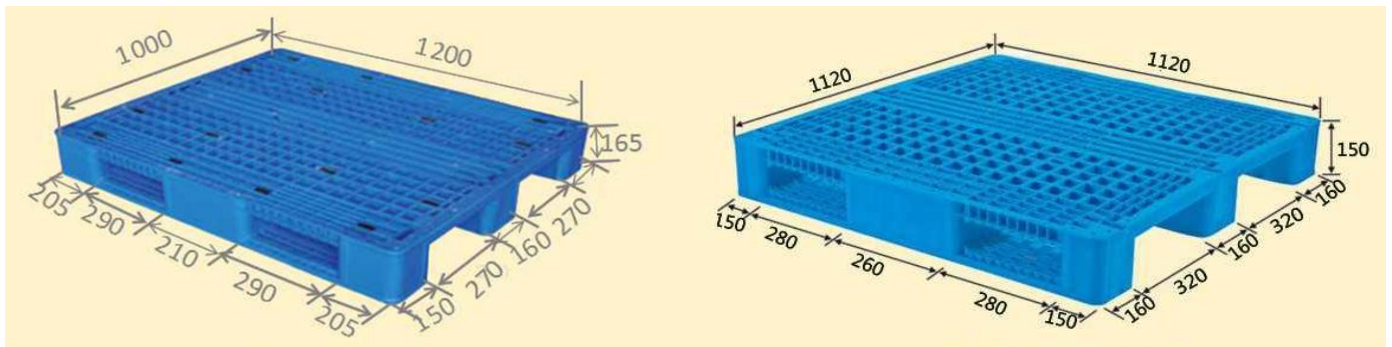
www.teshtex.cn

The professional Transport pallets and packaging manufacturer

Teshtex is fully committed to the design, development and production of innovative and RTP (Returnable Transport Packaging) solutions for various industries.

Teshtex is active in the field of RTP solutions because we have seen that the modern world has become more global and without barriers. Raw materials, pre-finished and finished goods are transferred increasingly within countries and over continents by truck, ship and plane no matter the distance.

We are developing smart solutions for transport processes which help our customers towards "Zero Waste, Zero Loss". With our R&D department we are steadily looking for new materials and new production methods which help us to achieve maximum stability whilst having lowest weight. It is our target to eliminate ineffective transport and logistics processes.



NO.1110,Nantianmen Street,
Gaoxin District,Taian,Shandong,China

Tel:0538-8936918
Mobile:+86 15715339555
E-mail:ds0008@163.com

泰氏新材料

Professional solutions for transport and logistics processes